



## CONTROL TRANSFORMERS X SERIES

### DESCRIPTION

**Veris X Series Control Transformers** are a convenient source of control power for HVAC control and building automation applications. A wide variety of UL-listed transformers are available with single and dual threaded hub mounting options. Multiple current limiting options are available, including a circuit breaker in some models.

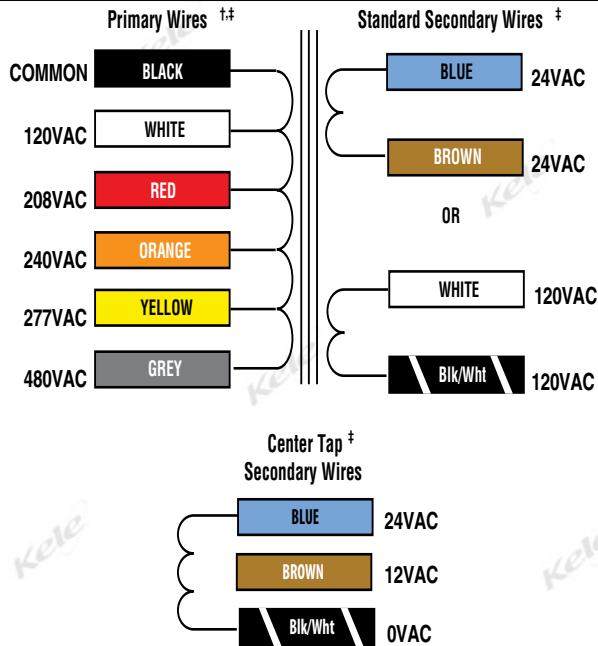
### FEATURES

- Multi-tap primary connection models
- Color-coded lead wires
- Manually resettable circuit breaker models
- Threaded hub options maximize installation flexibility

### SPECIFICATIONS

<b>Frequency</b>	50/60 Hz
<b>Wire Length</b>	8.0" (20.3 cm)
<b>Operating Temperature</b>	-40° to 149°F (-40° to 65°C)
<b>No Load Voltage</b>	27 to 28 VAC
<b>Wire Type</b>	UL 1015, 18 AWG (X085AAA, X375DAC have 14 AWG secondary wires)
<b>Approvals</b>	CE, File #E222742, RoHS
<b>Warranty</b>	5 years

### WIRING



† Primary of 24V isolation transformers = Red/Red

‡ Colors refer to the transformer wiring, not the external circuit.

NEW!



2 Hub and Foot Mount

**VERIS**  
INDUSTRIES™



Plate Mount

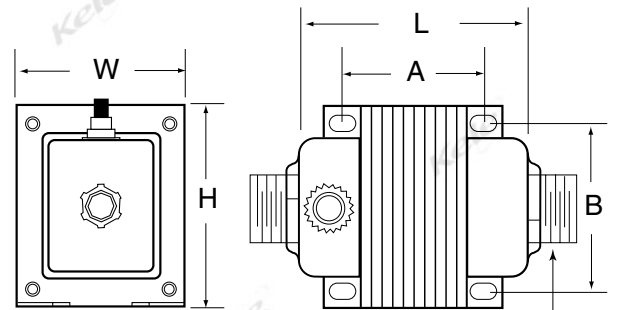


Foot Mount



1 Hub and Foot with Separate Secondary Wires

### DIMENSIONS



Threaded for conduit nut



# POWER SUPPLIES

## CONTROL TRANSFORMERS

### X SERIES

#### ORDERING INFORMATION

Model	Secondary Voltage (VAC)	VA	Primary Voltage (VAC)	Current Limiting Method	Class	Mounting	Separated Primary & Secondary Wires	L (in)	W (in)	H (in)	A (in)	B (in)		
<b>STANDARD</b>														
X020ADA	24	20	24	Inherent *	General	1HUB+FT		2.3	1.9	2.6	1.59	1.69		
X020ADB			24	Inherent *	General	2HUB+FT	X	2.3	1.9	2.6	1.59	1.69		
X020AAA			120	Inherent *	2	1HUB+FT		2.3	1.9	2.6	1.59	1.69		
X020ACA			277	Inherent *	2	1HUB+FT		2.3	1.9	2.6	1.59	1.69		
X040BPC	12/24	40	24	Fuse	2	Foot	X	2.7	2.2	2.9	1.98	1.81		
X040ADA	24		24	Inherent *	2	1HUB+FT		2.7	2.2	2.9	1.98	1.81		
X040AAA			120	Inherent *	2	1HUB+FT		2.7	2.2	2.9	1.98	1.81		
X040AAB			120	Inherent *	2	2HUB+FT	X	2.7	2.2	2.9	1.98	1.81		
X040ACA			277	Inherent *	2	1HUB+FT		2.7	2.2	2.9	1.98	1.81		
X040AMB			120/208/240/277	Fuse	2	2HUB+FT	X	2.7	2.2	2.9	1.98	1.81		
X040BNA			120/208/240	Fuse	2	1HUB+FT		2.7	2.2	2.9	1.98	1.81		
X050BAA	24		50	120	Fuse	2	1HUB+FT		2.8	2.2	2.9	2.06	1.81	
X050BAB		120		Fuse	2	2HUB+FT	X	2.8	2.2	2.9	2.06	1.81		
X050CAA		120		Circuit Breaker	2	1HUB+FT		3.5	2.5	3.1	1.91	2.03		
X050CBA		120/240/277/480		Circuit Breaker	2	1HUB+FT		3.5	2.5	3.1	1.91	2.03		
X050CBB		120/240/277/480		Circuit Breaker	2	2HUB+FT	X	3.5	2.5	3.1	1.91	2.03		
X050BGB		208/240		Fuse	2	2HUB+FT	X	2.8	2.2	2.9	2.06	1.81		
X050BCA		277		Fuse	2	1HUB+FT		2.8	2.2	2.9	2.06	1.81		
X050BCB		277		Fuse	2	2HUB+FT	X	2.8	2.2	2.9	2.06	1.81		
X050CCA		277		Circuit Breaker	2	1HUB+FT		3.5	2.5	3.1	1.91	2.03		
X050CGG				208/240	Circuit Breaker	2	Plate, 90° Sec Elbow	X	4.0	4.0	4.0	3.38	3.38	
X050CHA		24		50	120/208/240/480	Circuit Breaker	2	1HUB+FT		3.5	2.5	3.1	1.91	2.03
X050CHB					120/208/240/480	Circuit Breaker	2	2HUB+FT	X	3.5	2.5	3.1	1.91	2.03
X050CNA	120/208/240		Circuit Breaker		2	1HUB+FT		3.5	2.5	3.1	1.91	2.03		
X050CNB	120/208/240		Circuit Breaker		2	2HUB+FT	X	3.5	2.5	3.1	1.91	2.03		
X050COA	120/208/240/277/480		Circuit Breaker		2	1HUB+FT		3.5	2.5	3.1	1.91	2.03		
X050COB	120/208/240/277/480		Circuit Breaker		2	2HUB+FT	X	4.3	2.5	3.1	2.70	2.00		
X050DLB			220		None	2	2HUB+FT	X	2.8	2.2	2.9	2.06	1.81	
X075CAA	24		75		120	Circuit Breaker	2	1HUB+FT		3.9	2.5	3.1	2.31	2.03
X075CAB		120		Circuit Breaker	2	2HUB+FT	X	3.9	2.5	3.1	2.31	2.03		
X075CBA		120/240/277/480		Circuit Breaker	2	1HUB+FT		3.9	2.5	3.1	2.31	2.03		
X075CCA		277		Circuit Breaker	2	1HUB+FT		3.9	2.5	3.1	2.31	2.03		
X075CHA		120/208/240/480		Circuit Breaker	2	1HUB+FT		3.9	2.5	3.1	2.31	2.03		
X075CHD		120/208/240/480		Circuit Breaker	2	1HUB+FT	X	3.9	2.5	3.1	2.31	2.03		
X085AAA	24	85	120	Inherent *	General	1HUB+FT		3.2	3.8	3.2	2.2	3.14		
X100CAA	24	99	120	Circuit Breaker	2	1HUB+FT		4.1	2.5	3.1	2.51	2.03		
X100CAB			120	Circuit Breaker	2	2HUB+FT	X	4.1	2.5	3.1	2.51	2.03		
X100CBA			120/240/277/480	Circuit Breaker	2	1HUB+FT		4.3	2.5	3.1	2.70	2.03		
X100CBB			120/240/277/480	Circuit Breaker	2	2HUB+FT	X	4.3	2.5	3.1	2.70	2.03		
X100CBE			120/208/277/480	Circuit Breaker	2	Plate		4.3	4.0	4.0	3.38	3.38		
X100CHB			120/208/240/480	Circuit Breaker	2	2HUB+FT	X	4.3	2.5	3.1	2.70	2.03		
X100CLB				220	Circuit Breaker	2	2HUB+FT	X	4.1	2.5	3.1	2.51	2.03	
X150CAA			24	150	Circuit Breaker	General	1HUB+FT		3.5	3.8	3.2	2.08	3.26	
X175BAB	175	120		Fuse	General	2HUB+FT	X	4.1	3.8	3.2	3.19	3.14		
X175BLB		220		Fuse	General	Foot	X	3.8	3.8	3.2	3.05	3.14		
X175CAB		120		Circuit Breaker	General	2HUB+FT	X	4.1	3.8	3.2	3.19	3.14		
X175CLB		220		Circuit Breaker	General	Foot	X	3.8	3.8	3.2	3.05	3.14		
X175DGC		208/240		None	General	Foot	X	4.1	3.8	3.2	3.19	3.14		
X240DAA		240		120	None	General	1HUB+FT	X	3.7	3.8	4.5	3.24	3.18	
X375DAA	375	120		None	General	Foot	X	4.3	3.8	4.5	3.83	3.18		
X050CEB	120	50		208/240/277/480	Circuit Breaker	General	2HUB+FT	X	3.5	2.5	3.1	1.91	2.03	
X050CEG				208/240/277/480	Circuit Breaker	General	Plate, 90° Sec Elbow	X	3.5	4.0	4.0	3.38	3.38	
X100CKB	120	99	480	Circuit Breaker	General	2HUB+FT	X	4.1	2.5	3.1	2.51	2.03		

\* Inherent - current limiting with internal built-in resistance or thermistor